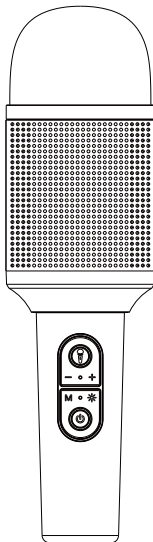
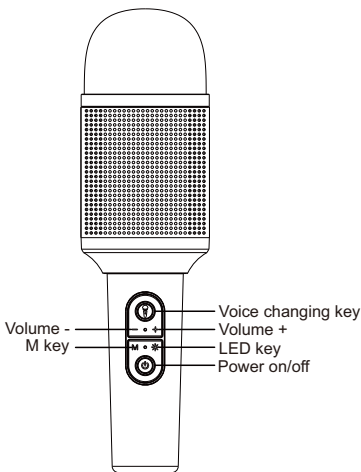
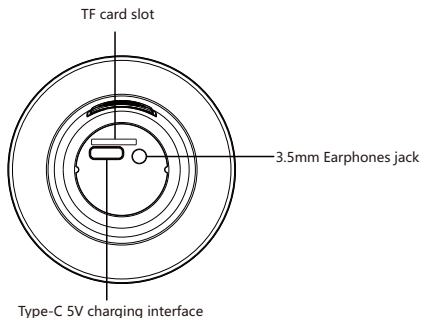


**Edis**

# USER MANUAL





## Bluetooth mode

### Power ON/OFF

Short press: Play/pause while music is playing

Long press: 3 seconds to turn ON/OFF

Double click: Turn on/off microphone pairing

Attention: Press and hold the power button for 10 seconds to reset the microphone

### M. key (Modes switch)

Short press: microphone switch mode (Bluetooth/Line in/TF)

### LED key

Short press: Switch the flashing modes of light

Long press: Turn on/off LED light effect

### Volume Up and Down keys

+: Short press the head volume plus, double-click to increase music volume,

Long press to play the next song

-: Short press the head volume reduction, double-click to decrease music volume,

Long press to play the previous song

### Voice Changing key

Double clicks: original /accompaniment

## **TF music mode**

### **Power ON/OFF**

Short press: Play/Pause Audio

Long press: 3 seconds to turn ON/OFF

### **M. key (Modes switch)**

Short press: microphone switch mode (Bluetooth/Line in/TF)

Long press: Switch between audio files and music files

Attention: After long pressing to switch to the recording file, press again briefly to return to the first audio

### **LED key**

Short press: Switch the flashing modes of light

Long press: Turn on/off LED light effect

### **Volume Up and Down keys**

+:Short press the head volume plus, double-click to increase music volume,

Long press to play the next song

-:Short press the head volume reduction, double-click to decrease music volume,

Long press to play the previous song

### **Voice Changing key**

Short press: Start recording; short press again to stop recording and save for playback

Type-c 5V charging interface: It can be charged by plugging into a DC5V Type-c port, and data transmission can be achieved using a data cable.

3.5mm AUX interface: Using the LINEIN cable, in LINEIN mode, connect one end of the 3.5mm plug to the AUX interface and the other end to your phone, and you can output music.

TF card slot: Insert the TF card to automatically switch to TF mode.

Product	Karaoke microphone with speaker
Model	Ec230 Microphone Recoder
Bluetooth version	Bluetooth V5.3
Wattage	5Watt
Weights	about 264g
Size	220mm*60.5mm
Shell Material	Foam+ABS
Battery	800mAh
Charging	DC5V= 0.5A

#### **PAIRED WITH DIGITAL DEVICES**

1. Long press the power button for 3 seconds. Then the blue light flashing and microphone is waiting for connection.
2. Turn on Bluetooth on the digital device, search for "EC230 Microphone Recoder", and click connect.
3. The microphone connection is successful, and the blue light is constantly on; If the device is not connected, the blue indicator light is flashing rapidly; When playing music, the blue indicator light flashes slowly.
4. After successful pairing, short press the power button to play and pause music.

## **The operation steps for the recording function are as follows:**

Before turning on the microphone, please make sure that the TF card is correctly inserted.  
(Tips: In the music mode, please save at least one song on the TF card to ensure the device operates normally.)

1. Press and hold the power button for 3 seconds to turn on the microphone;
2. Just press the "M" key to switch to the music mode (Bluetooth/Audio/Music mode);
3. After switching to the music mode, wait for 2 to 3 seconds - the microphone will start playing music from the TF card;
4. After hearing the voice prompt, quickly press the microphone button to start recording; Pressing the microphone button again will stop the recording and start playing the recorded audio;

Pressing the "+" key for a long time will switch to playing the next audio file;

Pressing the "-" key for a long time will switch to playing the previous audio file;

Pressing the "M" key quickly will return to playing the first audio file.

## **Battery Charging :**

The red light indicator will be steady on during charging and will be off after battery is fully charged. When the battery is low, the battery alarm sound will be broadcasted for three times , and the system will be shut down at the fourth alarm . Please use a DC- 5V power adapter for charging . Improper power adapter such as 9V or 12V Quick charger may cause hardware damage or other faults.

**Matters need to be attention:**

1. Wireless signal transmission including Bluetooth is greatly affected by the surrounding environment such as metal, tree, human body,...etc.. and the appropriate distance is also affected .
2. Do not charge the battery under fire and high temperature conditions!
3. Do not use the speaker where to close the heat sources (such as fire or heater) .
4. Do not place the product in a heat source , such as to keep under the strong sunlight or outdoor car exposed under the sunlight, which will degrade the battery performance or battery life .
5. If you don't use it for a long time , ensure that the battery level is above 50% , and then store it safely. It is recommended to store the product in indoor warehouse with humidity less than 75% at 25°C to minimize the capacity attenuation of the battery cell. During the transportation, the products should be protected from rain and water, and should not be kept in high temperature environment for a long time.