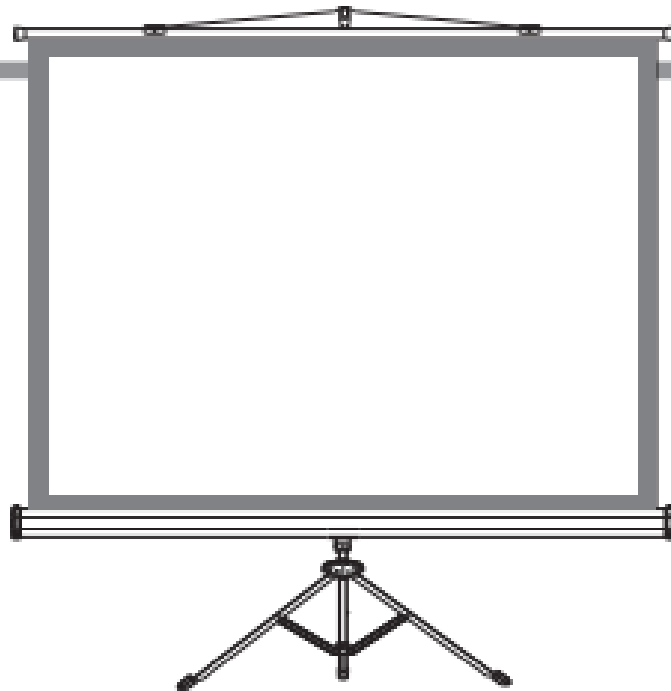


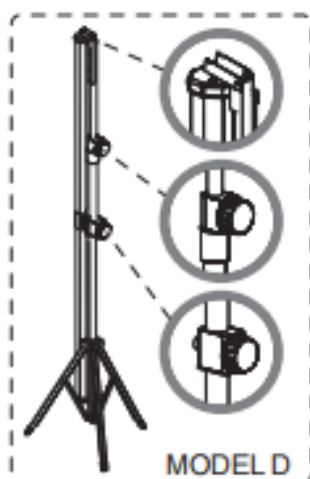
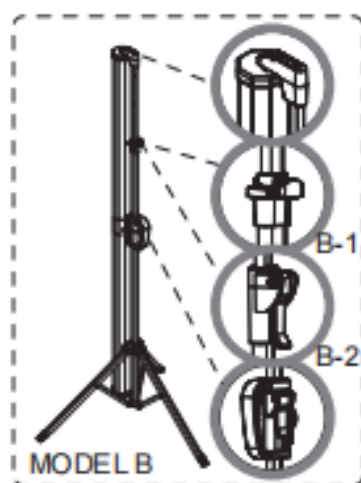
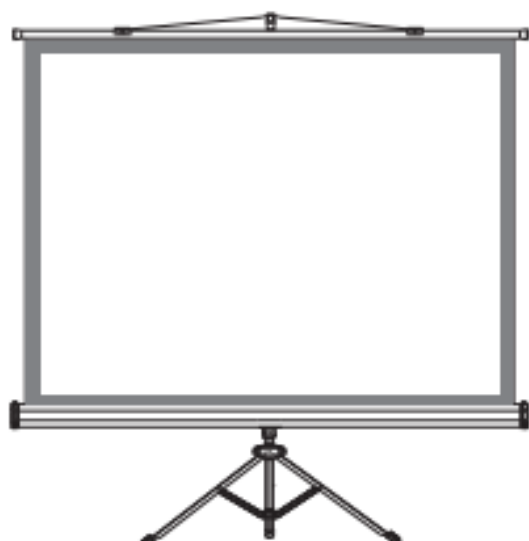
# ***Edis***

**THANK YOU FOR CHOOSING OUR PROJECTION SCREEN.  
PLEASE READ THE MANUAL BEFORE USING.**

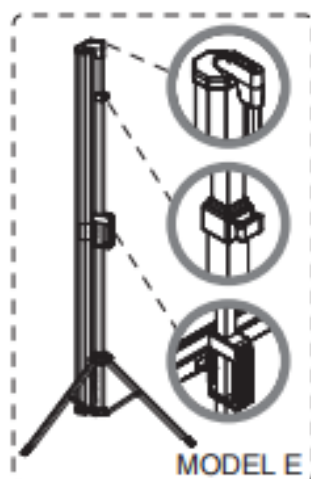
## **TRIPOD SCREEN**



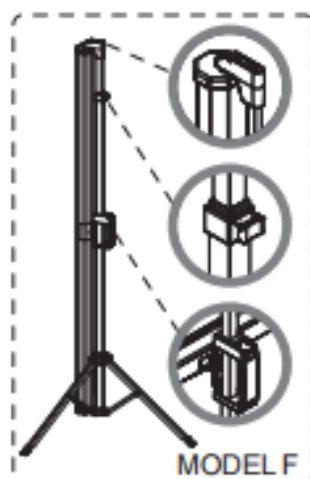
- Thank you for choosing our screen.
- Please read the manual carefully to ensure correct usage and installation
- There are five models of tripod screen: model B、D、E、F、G



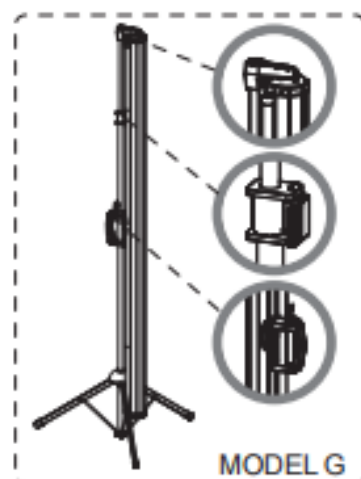
MODEL D



MODEL E



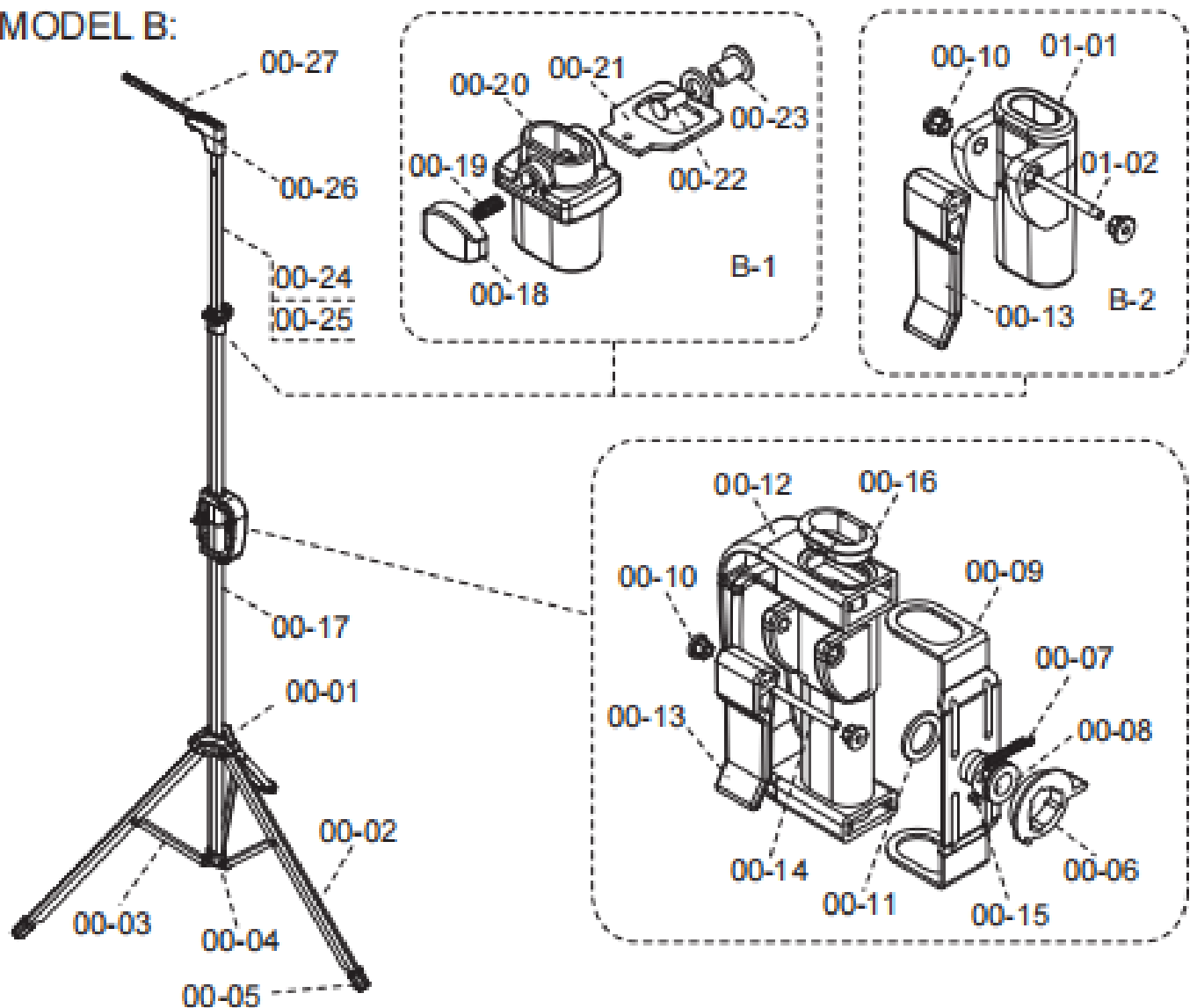
MODEL F



MODEL G

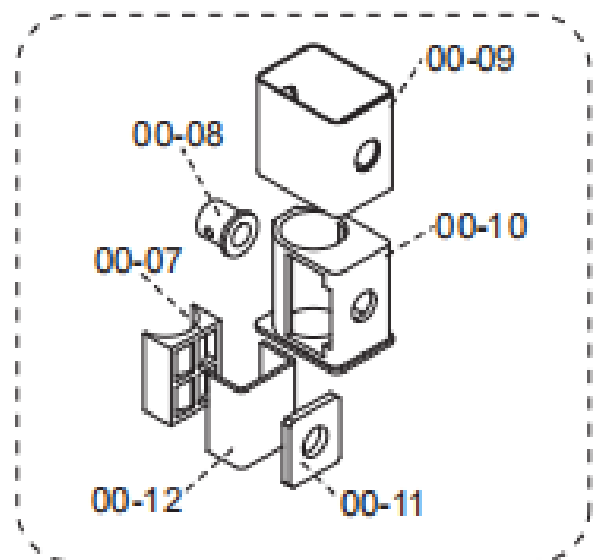
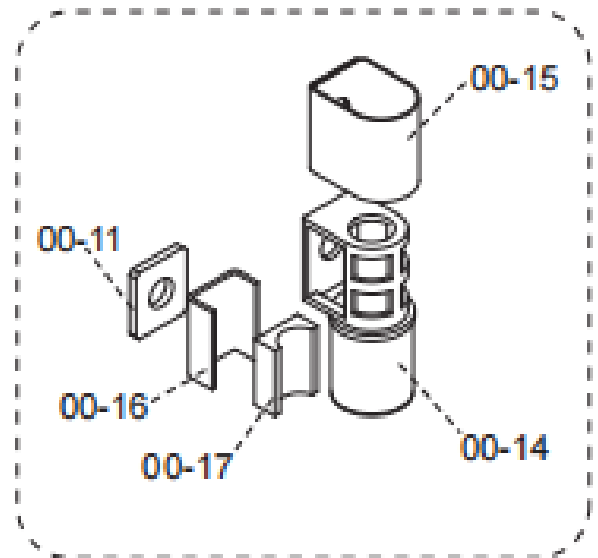
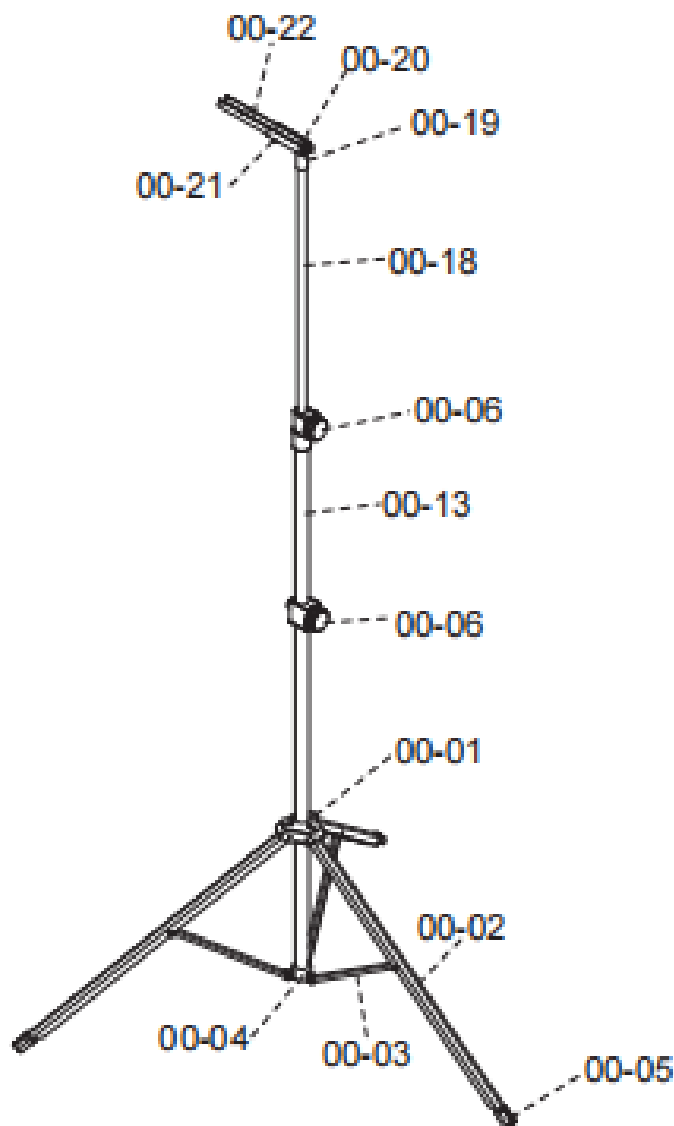
## DRAWING OF TRIPOD STAND

MODEL B:



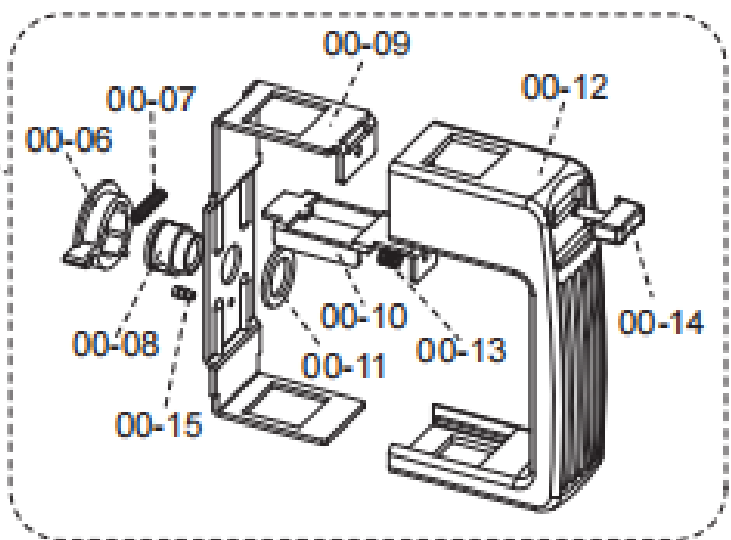
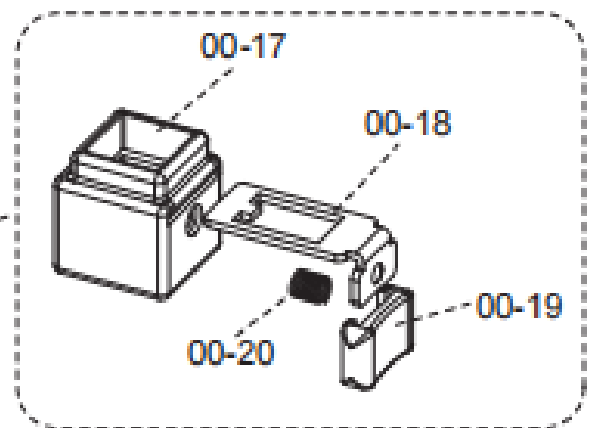
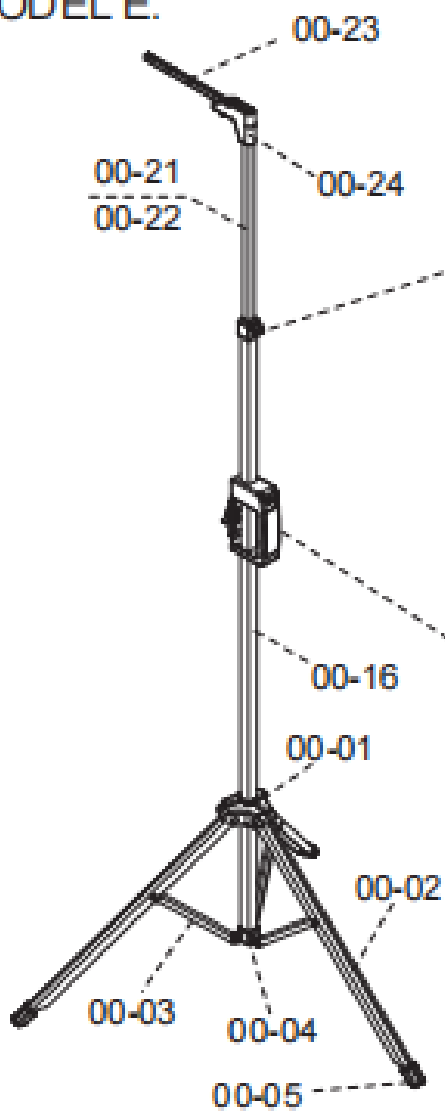
00-01 LEG BRACKET	00-11 WASHER	00-21 LOCK PLATE
00-02 LEG	00-12 HANDLE	00-22 NAIL
00-03 SUPPORT ROD	00-13 SPANNER	00-23 REGISTRATION ARM
00-04 HOLDER	00-14 LOCATING SHAFT	00-24 UP POST
00-05 RUBBER PLASTIC CAP	00-15 NAIL	00-25 CAP
00-06 DOWELLED SPANNER	00-16 BUSHING	00-26 KEYSTONE ELIMINATOR
00-07 SPRING	00-17 DOWN POSTER	00-27 GOOSENECK
00-08 BARREL	00-18 SNAP	
00-09 HOLDER	00-19 COMPRESSION SPRING	01-01 GOVERNING MOUNT
00-10 BUSHING	00-20 LOCK SLEEVE	01-02 LOCATING SHAFT

MODEL D:



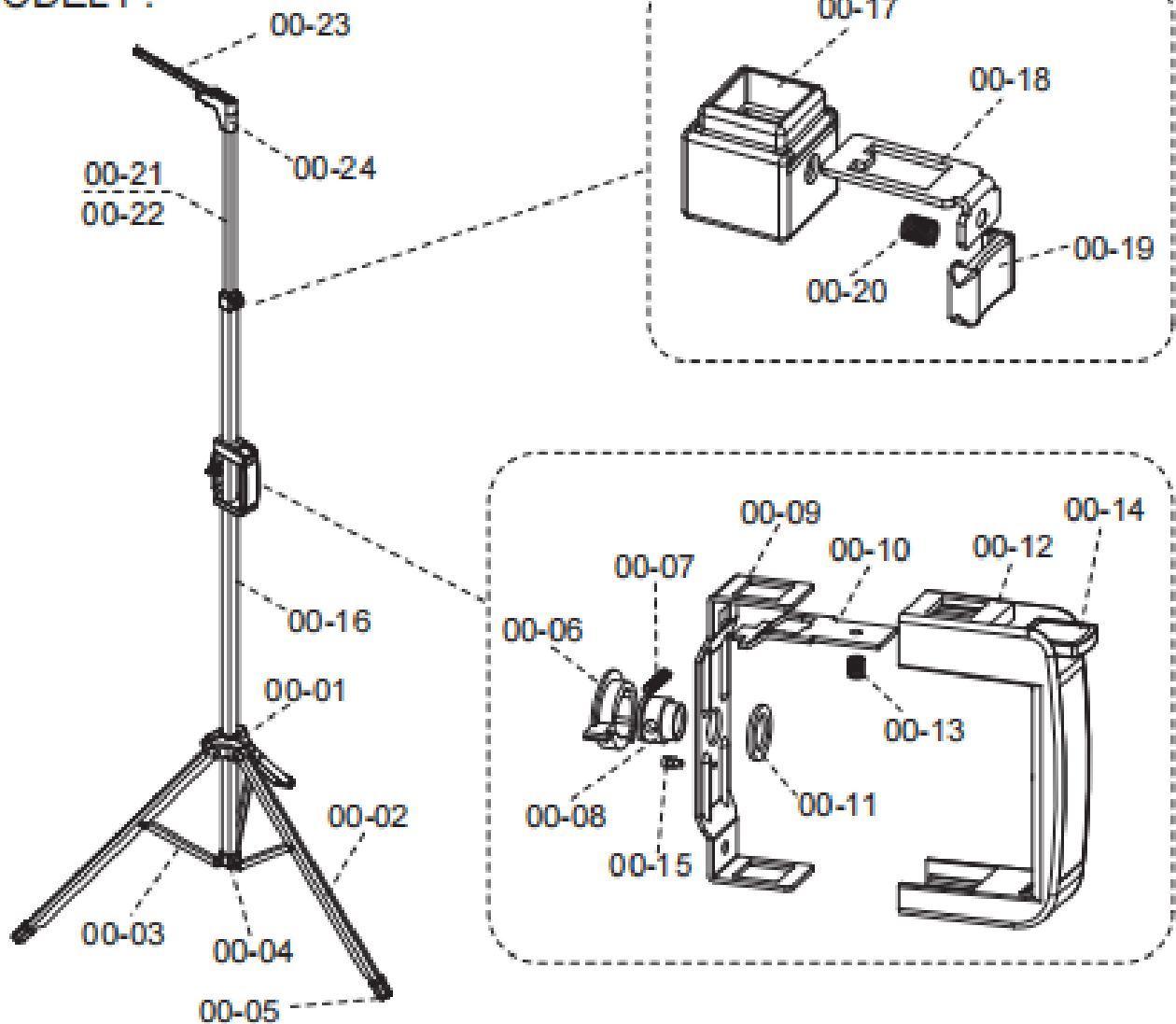
- |       |                    |       |                           |
|-------|--------------------|-------|---------------------------|
| 00-01 | LEG BRACKET        | 00-12 | KNOCKOUT PLATE            |
| 00-02 | LEG                | 00-13 | DOWN POST                 |
| 00-03 | SUPPORT ROD        | 00-14 | INNER CORE(二)             |
| 00-04 | HOLDER             | 00-15 | BARREL                    |
| 00-05 | RUBBER PLASTIC CAP | 00-16 | KNOCKOUT PLATE            |
| 00-06 | KNOB               | 00-17 | LINING                    |
| 00-07 | LINING (一)         | 00-18 | UP POST                   |
| 00-08 | SOCKET             | 00-19 | GOOSENECK                 |
| 00-09 | BARREL             | 00-20 | SHORT KEYSTONE ELIMINATOR |
| 00-10 | INNER CORE         | 00-21 | DOWEL                     |
| 00-11 | NUT                | 00-22 | KEYSTONE ELIMINATOR       |

MODEL E:



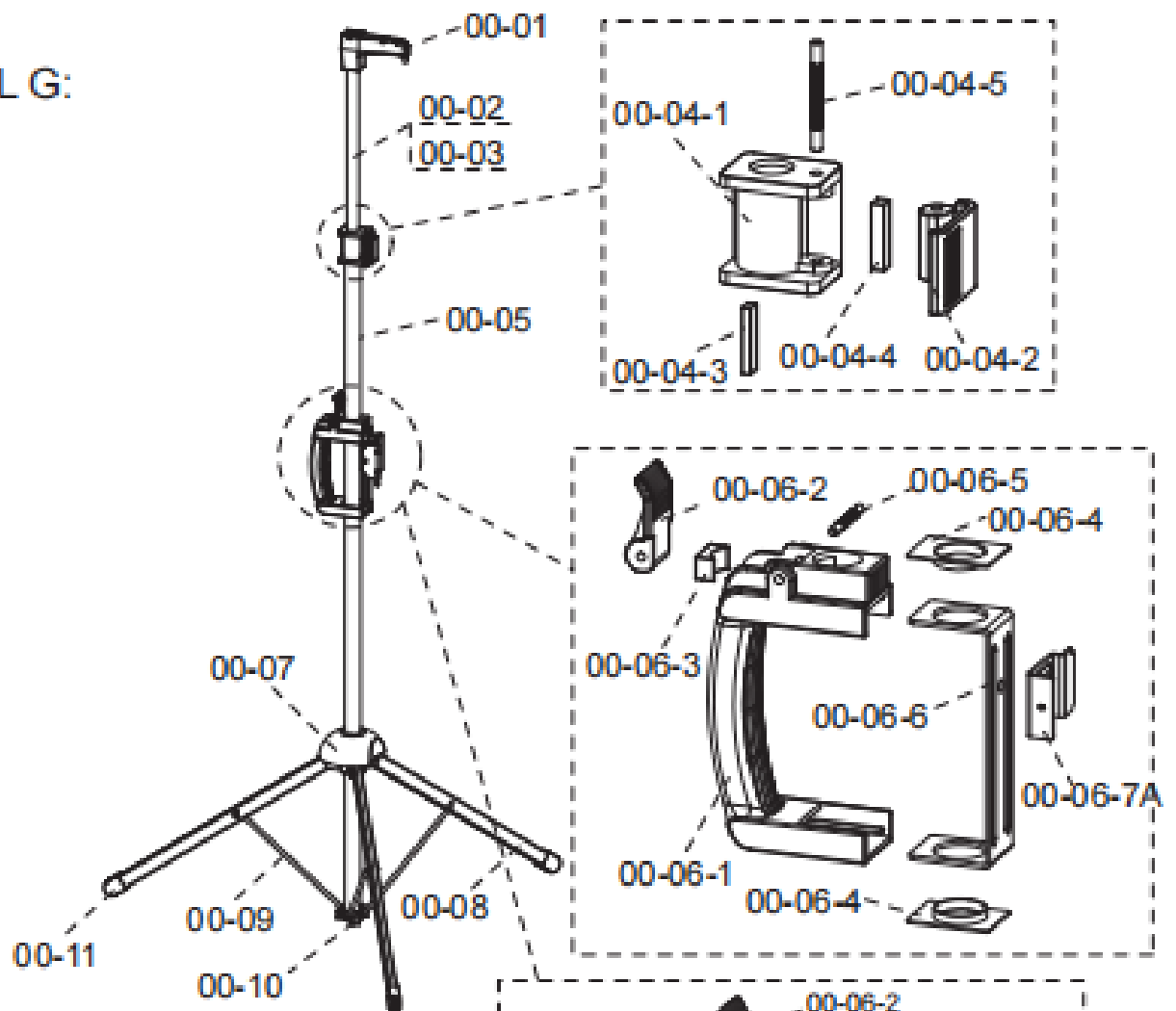
- |       |                    |       |                     |
|-------|--------------------|-------|---------------------|
| 00-01 | LEG BRACKET        | 00-13 | COMPRESSION SPRING  |
| 00-02 | LEG                | 00-14 | BUTTON              |
| 00-03 | SUPPORT ROD        | 00-15 | NAIL                |
| 00-04 | HOLDER             | 00-16 | DOWN POSTER         |
| 00-05 | RUBBER PLASTIC CAP | 00-17 | LOCK SLEEVE         |
| 00-06 | DOWELLED SPANNER   | 00-18 | STOP PLATE (1)      |
| 00-07 | SPRING             | 00-19 | BUTTON (1)          |
| 00-08 | BARREL             | 00-20 | COMPRESSION SPRING  |
| 00-09 | HOLDER             | 00-21 | UP POST             |
| 00-10 | STOP PLATE         | 00-22 | LOCATING COVER      |
| 00-11 | WASHER             | 00-23 | KEYSTONE ELIMINATOR |
| 00-12 | HANDLE             | 00-24 | GOOSENECK           |

MODEL F:



- |       |                    |       |                     |
|-------|--------------------|-------|---------------------|
| 00-01 | LEG BRACKET        | 00-13 | COMPRESSION SPRING  |
| 00-02 | LEG                | 00-14 | BUTTON              |
| 00-03 | SUPPORT ROD        | 00-15 | NAIL                |
| 00-04 | HOLDER             | 00-16 | DOWN POSTER         |
| 00-05 | RUBBER PLASTIC CAP | 00-17 | LOCK SLEEVE         |
| 00-06 | DOWELLED SPANNER   | 00-18 | STOP PLATE (1)      |
| 00-07 | SPRING             | 00-19 | BUTTON (1)          |
| 00-08 | BARREL             | 00-20 | COMPRESSION SPRING  |
| 00-09 | HOLDER             | 00-21 | UP POST             |
| 00-10 | STOP PLATE         | 00-22 | LOCATING COVER      |
| 00-11 | WASHER             | 00-23 | KEYSTONE ELIMINATOR |
| 00-12 | HANDLE             | 00-24 | GOOSENECK           |

MODEL G:



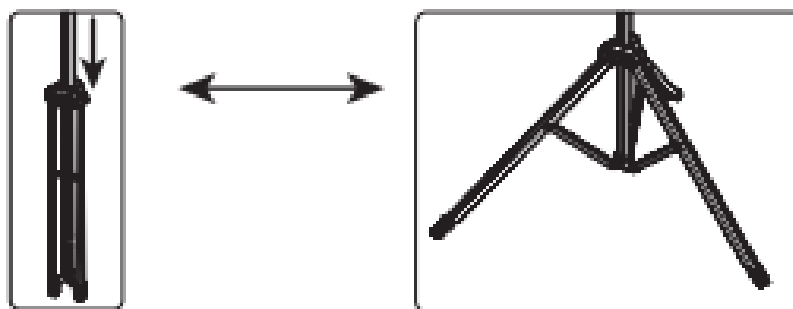
- 00-01 GOOSENECK
- 00-02 UP POSTER
- 00-03 STOP CAP
- 00-04-1 UP LOCK SLEEVE
- 00-04-2 ECCENTRIC SPANNER
- 00-04-3 JACKING BLOCK 1
- 00-04-4 JACKING BLOCK 2
- 00-04-5 4\*45 ROLL MANDREL
- 00-05 DOWN POSTER
- 00-06-1 HANDLE
- 00-06-2 SPANNER
- 00-06-3 JACKING BLOCK
- 00-06-4 LINING
- 00-06-5 4\*35 ROLL MANDREL
- 00-06-6 HOLDER
- 00-06-7A CONNECTION
- 00-06-7B SOCKET

- 00-07 LEG BRACKET
- 00-08 LEG
- 00-09 BRACE
- 00-10 HOLDER
- 00-11 PLASTIC CAP

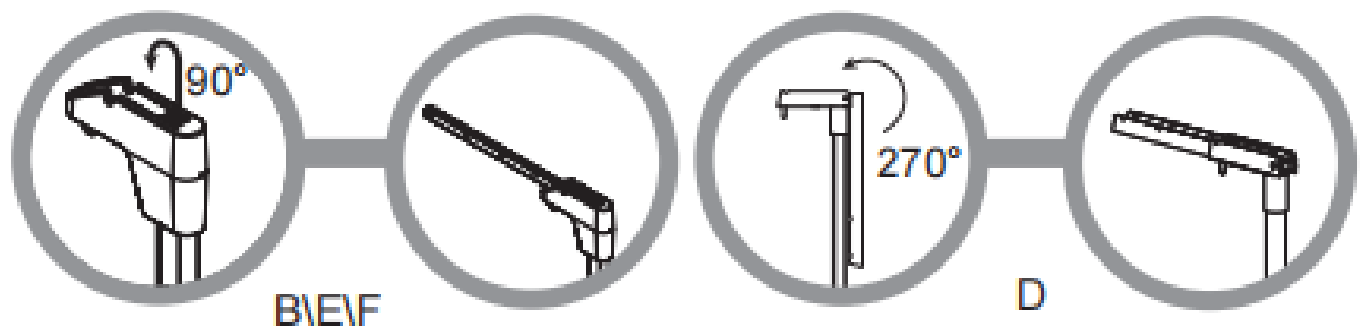
- The operation is flexible and the height of screen can be adjusted as needed by using unique tripod connection and lock devices, the screen can be put in any location and used for many times. The screen is widely used in the meeting rooms, schools, business presentation.

## THE OPERATION OF TRIPOD SCREEN

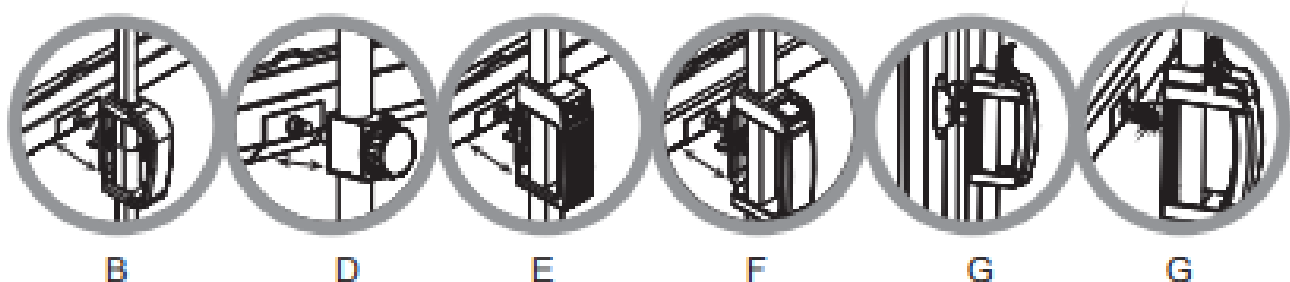
- Open the three legs, put on stand on the level floor.



- Rotate the keystone of 90 degree of stand ( model, B\E\F ) or 270 degree of model D.

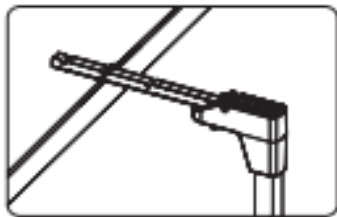


- Connect the screen and stand by the following drawing.

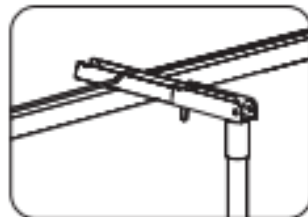




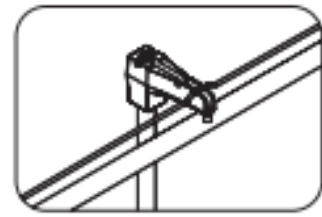
- Hang the screen on the keystone eliminator or gooseneck.



B\E\F



D



G

- Refer the following diagram, release the top locking device, lift the up poster for adjusting the right height, lock the top locking device.



B-1



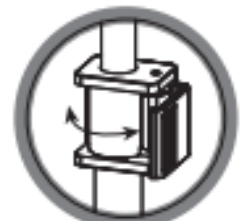
B-2



D



E\F



G

- Refer the diagram, release the handle locking device, pull down the handle, when the black borders out, lock the handle locking device.



B



D



E



F

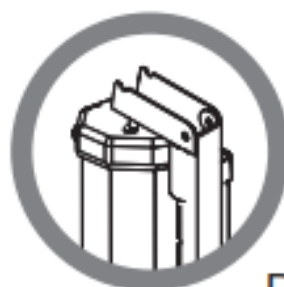


G

- Retract the screen fabric into the case, rotate the 90 degree of the screen, refer the following diagram, lock the tripod stand and screen.



B\E\F



D



G